



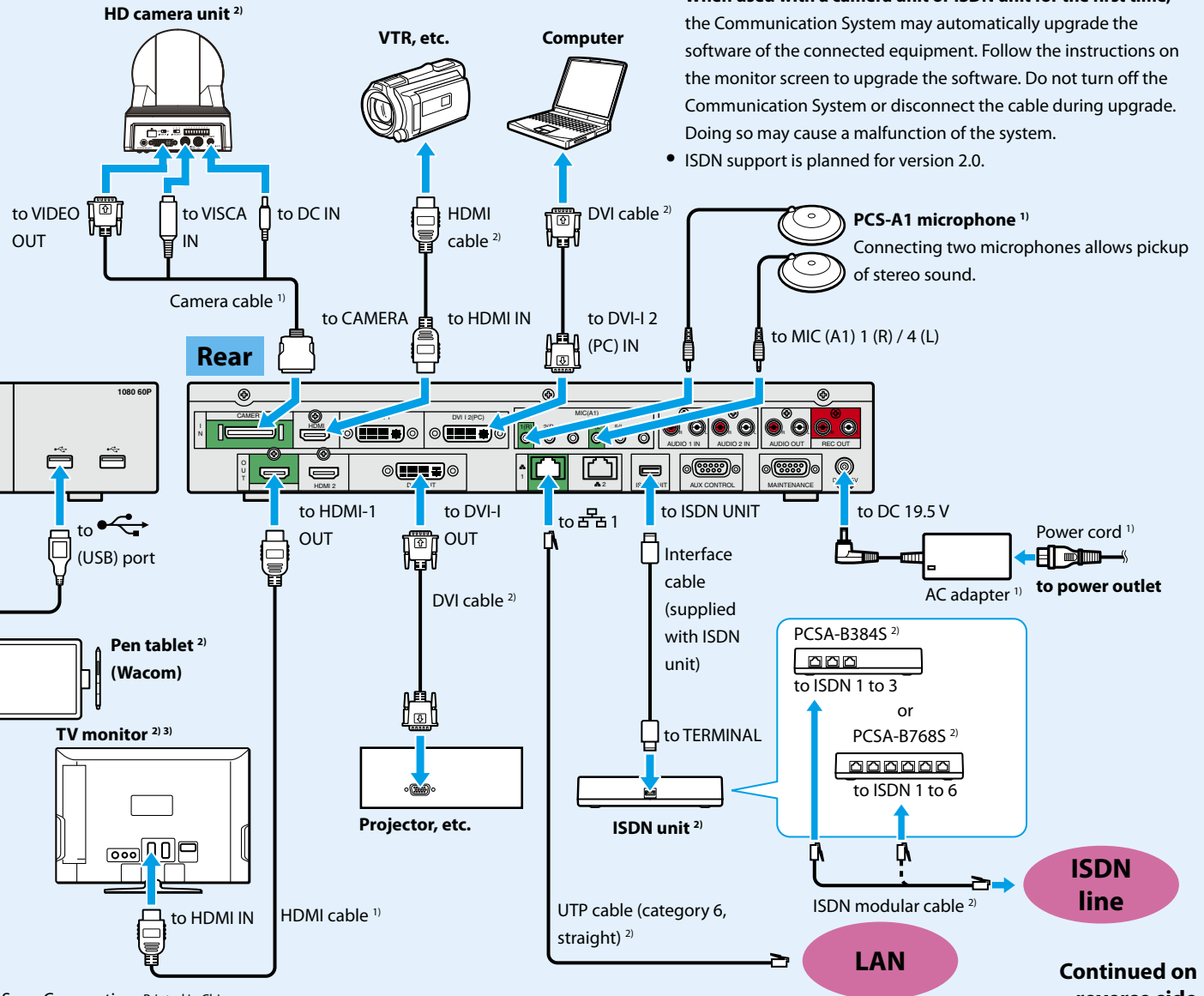
IPELA

HD Visual Communication System PCS-XG100S/XG77S

Installation Guide

Connections

- ¹⁾ Supplied (two PCS-A1 microphones are supplied with the PCS-XG100S, and one is supplied with the PCS-XG77S)
- ²⁾ Not supplied
- ³⁾ Must support 1080i



Notes

- The PCS-XG77S is not equipped with the following connectors and indicators:
HDMI IN, HDMI 2 OUT, and LAN 2 ALERT indicator
- On the PCS-XG77S, the LAN 1 connector is named the LAN connector, and the LAN 1 ALERT indicator is named the LAN ALERT indicator.
- Normally, connect the UTP cable to the LAN 1 connector (indicated in green). If the UTP cable is connected to the LAN 2 connector, some of the functions of the system may be restricted.
For details, refer to the Operating Instructions supplied with the system.
- The REC OUT jack is used to make an audio recording of a communication, for example. It is not used during regular communication.
- We recommend using Sony's HDMI cable.

Notes

- Be sure to turn off all the equipment before making any connections.
- Do not connect/disconnect the camera cable, interface cable, or pen tablet with the power on. Doing so may damage the camera unit, Communication System, or ISDN unit.
- For safety, do not connect the 1000BASE-T connector to a network that will apply excess voltage to this connector.
- **When used with a camera unit or ISDN unit for the first time,** the Communication System may automatically upgrade the software of the connected equipment. Follow the instructions on the monitor screen to upgrade the software. Do not turn off the Communication System or disconnect the cable during upgrade. Doing so may cause a malfunction of the system.
- ISDN support is planned for version 2.0.

Changing the “Monitor Output” and “Frequency” Settings with the Remote Commander

If the “Monitor Output” and “Frequency” settings in the Video setup menu are configured incorrectly, pictures will not be displayed on the monitor. In such cases, use the ⏻ (power) switch on the Communication System and the buttons on the Remote Commander to configure the correct settings.

To change the “Monitor Output” setting

After verifying that the ⏻ (power) switch indicator on the system is lit, perform the following.

- 1 Press the ⏻ (power) switch on the Communication System.
- 2 Within five seconds after you pressed the ⏻ switch, press the buttons on the Remote Commander as follows, based on the desired “Monitor Output.”

Desired “Monitor Output”	On the Remote Commander, press:
HDMI 1	VIDEO INPUT button (once) → Number button 3 (three times)
DVI-I OUT	VIDEO INPUT button (once) → Number button 4 (three times)

The “Monitor Output” setting is changed, and the picture appears on the monitor connected to the system.

To change the “Frequency” setting

After rebooting the system and verifying that the ⏻ (power) switch indicator changes from blinking to remaining steadily lit, perform the following.

- 1 Press the ⏻ (power) switch on the Communication System.
- 2 Within five seconds after you pressed the ⏻ switch, press the buttons on the Remote Commander as follows, based on the desired “Frequency.”

Desired “Frequency”	On the Remote Commander, press:
60 Hz	VIDEO INPUT button (once) → Number button 1 (three times)
50 Hz	VIDEO INPUT button (once) → Number button 2 (three times)

The “Frequency” setting is changed, and the system reboots.

Note

The Remote Commander cannot be paired with cameras.