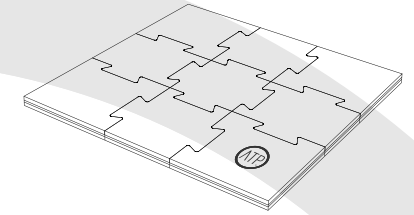


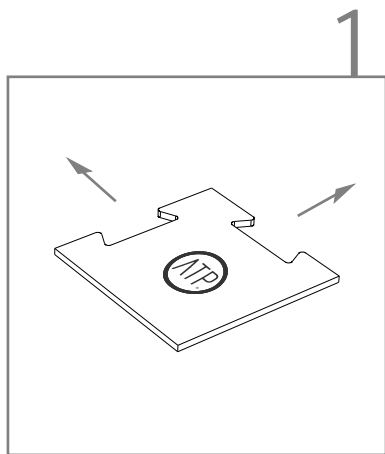


DRUMBASE® Assembly Instructions

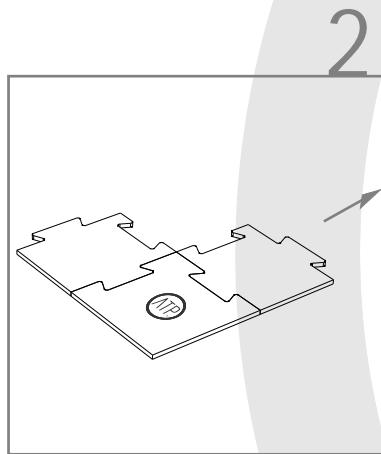


music accessories

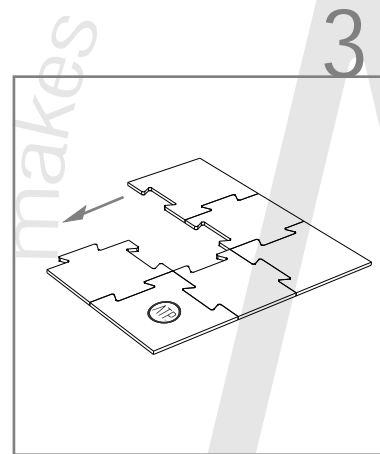
ATP® Drum Kit Line



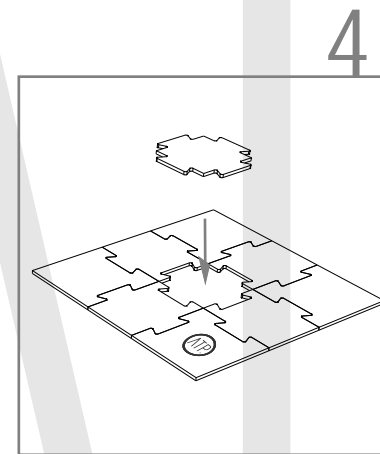
Start with a corner part. For instance the one with the ATP® logo.



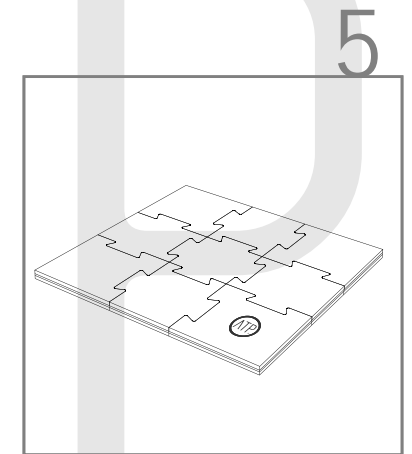
After, mount the next two parts. Select a side for complete all the set.



Complete the square shape leaving the center piece to the end.



Place the center part. It has to be the last piece to be assembled.



Finish and that's ready to rock.