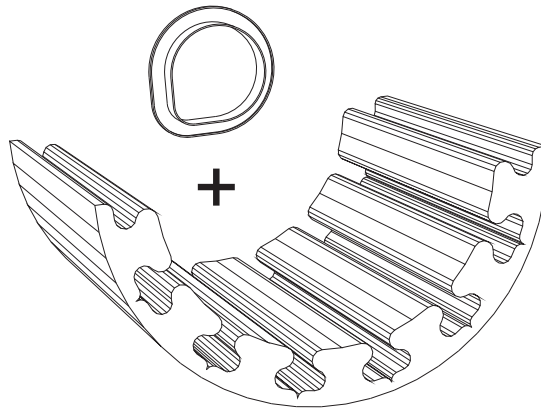


KICK PAD® Kit

ATP® Drum Kit Line



Features:

- * Kit includes KICK PAD® and PUNCH MASTER®.
- * Absorbent for the bass drum.
- * Manufactured in Acoustic Foam.
- * Efficiently reduces unwanted resonances.
- * For all bass drums ranging between 18" and 24".
- * Packaging: 1 unit.
- * Installation: to be placed inside the bass drum.
- * Use: at live and in studio.
- * Dimensions: 840 x 560 x 70 mm.
- * Colour: gray.

Colours:



To tune and get good sound out of a bass drum is sometimes a hard task. This instrument, which is an essential base of drum kits, needs to be treated once in a while.

The KICK PAD® was created to absorb unwanted harmonics which are out of tune with the bass drum note, thus making the beat clearer and more defined.

This accessory has some small markings in order for the musician to highlight small slices and adjust loudness as he/she pleases. It can be used in all sizes of bass drums.

ATP® PUNCH MASTER® is provided together with the KICK PAD®. This accessory allows you to fully control the bass drum head's vibration accentuating its punch and deepness at every beat. Its ultra light material and attractive design makes it look distinct and stylish. It also allows protection against tearing from cables or the microphone's tripod.

The KICK PAD® is cut alongside the curvature of the bass drum which prevents the foam cells from being closed, thus resulting in a more beneficial absorption.

This is a tool to be used either at live or in studio and is very useful for both the musician and the sound engineer.

KICK PAD Kit®

