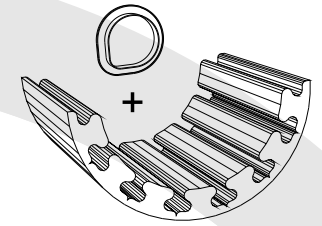


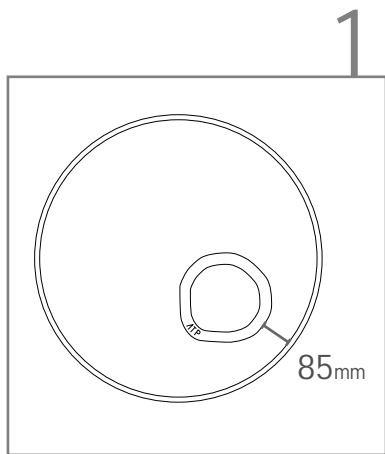


KICK PAD® Kit Assembly Instructions

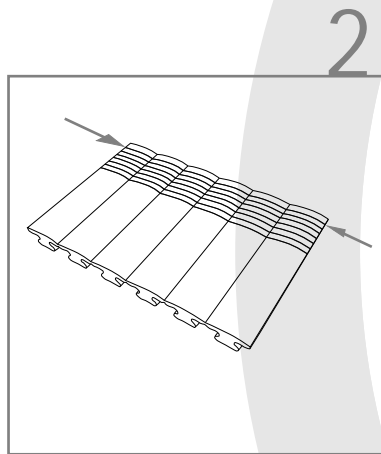


music accessories

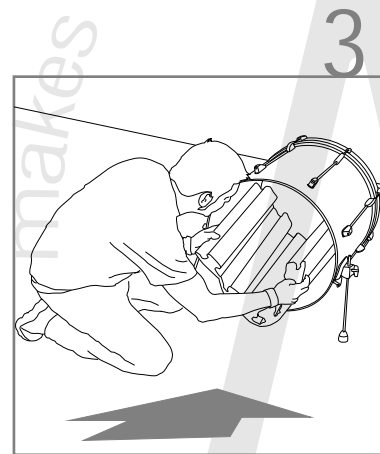
ATP® Drum Kit Line



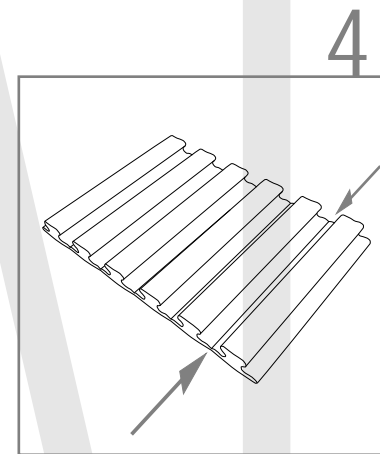
Draw a mark with the ATP® Punch Master and cut the drumhead. Leave 85mm from the edge of the ring.



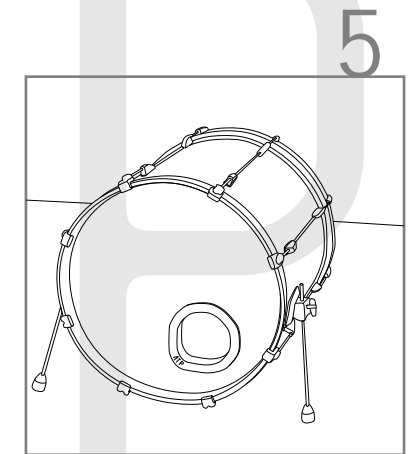
Adjust the size of the ATP® Punch Master cutting it to fit the depth of your drum bass.



Place the ATP® Kick Pad inside your drum bass.



You can also adjust the amount of absorption by cutting one or more stripes, tuning the sound as desired.



Close the bass drum and "feel the sound".