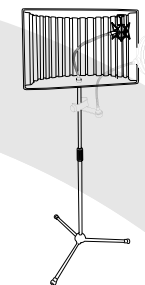


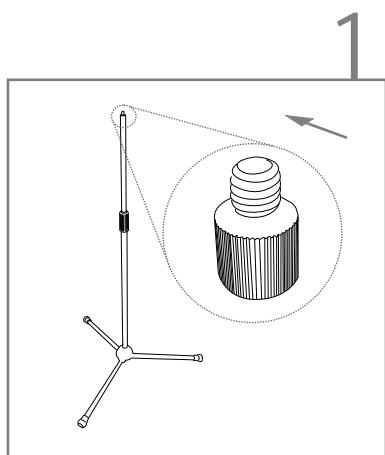


VMRFilter Set® Assembly Instructions

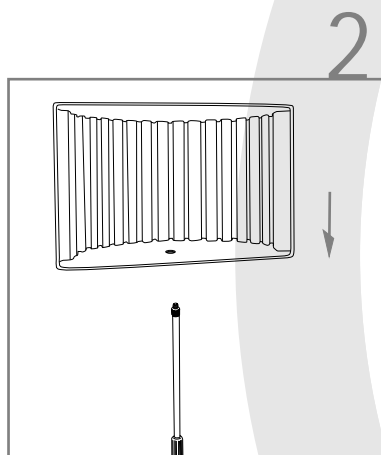


music accessories

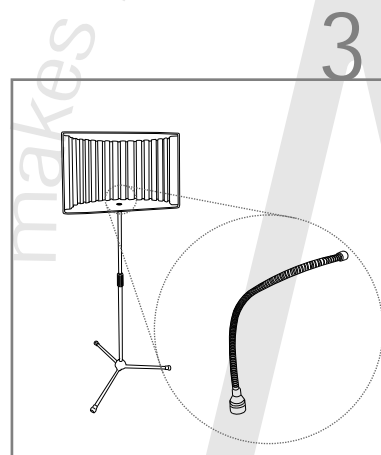
ATP® Studio Line



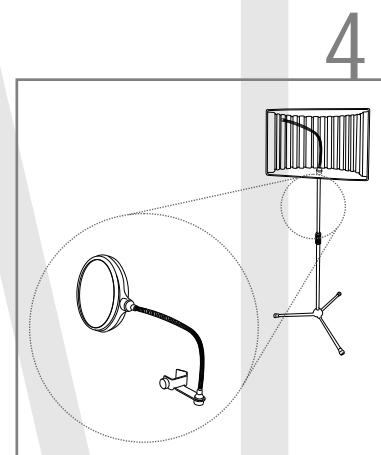
Start tightening the nut on the tripod.



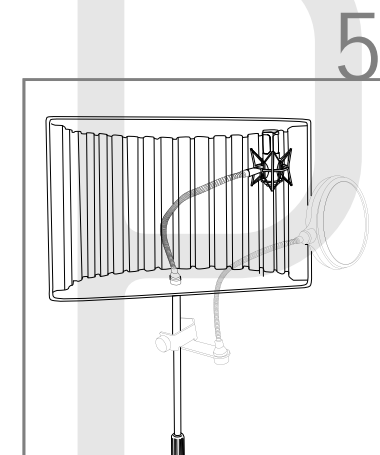
After, mount the VMRFilter® on the tripod.



Complete tighten the VMRFilter® with the gooseneck.



Then put the ATP® Pop Off® on the tripod.



Attach the microphone on the gooseneck and that's it. You're ready to record!